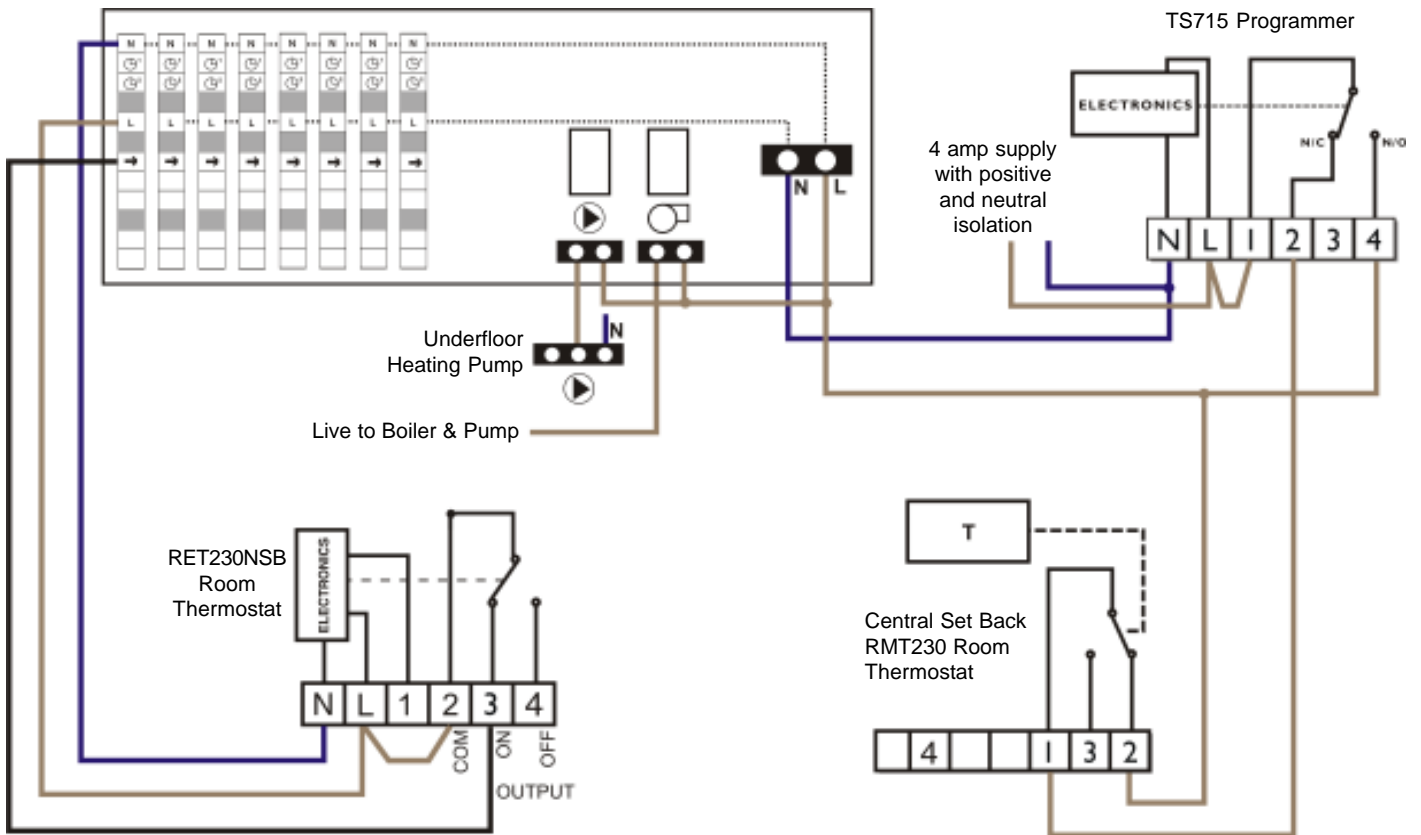


Convert Purchased RET 230 NSB Set Back Thermostats to Non-Set Back Thermostats in cases where only 3 wires have been made available instead of the required 4



Note: Thermal actuator connections show on detail delivered with Relay Centre.

The Electrician is responsible for the Earth Continuity.



Danfoss Randall can accept no responsibility for possible errors in catalogues, brochures and other printed material, and reserves the right to alter its products without notice. This also applies to products already on order provided that such alterations can be made without subsequent changes being necessary in specifications already agreed.

Danfoss Randall Limited

Ampthill Road,
 Bedford, MK42 9ER
 Tel: 01234 364621
 Fax: 01234 219705
 Email: danfosrandall@danfoss.com
 Website: www.danfoss-randall.co.uk